

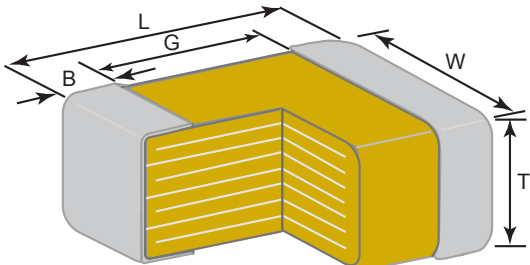
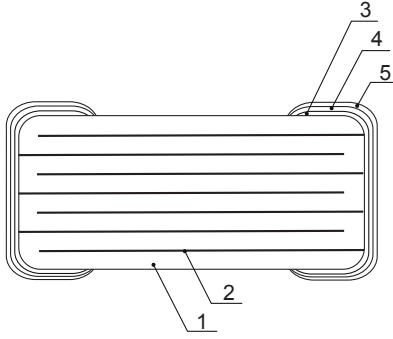
# TDK MLCC Datasheet (Preliminary)<sup>1</sup>

TDK P/N

<b>C1005</b>	<b>X5R</b>	<b>0J</b>	<b>105</b>	<b>M</b>	<b>T</b>	<b>XXXX</b>
1)	2)	3)	4)	5)	6)	7)

No.	Segment	Detail	Comments
1	Case Size	1.0 x 0.5 mm	See below for dimensions.
2	Temperature Characteristics	-55+85°C ± 15%	Class II ; Conforms to EIA 198
3	Rated Voltage	6.3 V	DC
4	Capacitance	1,000,000 pF	1.0 ± 0.2 Vrms , 1kHz ± 10%
5	Capacitance Tolerance	± 20%	Conforms to IEC 384-9
6	Packaging Style	Tape and Reel	EIA 481 Format
7	TDK internal Code	XXXX	(Internal TDK use only)
-	Dissipation Factor (DF)	0.10max.	1.0 ± 0.2 Vrms , 1kHz ± 10%
-	Insulation Resistance	100 M min.	apply rated voltage for 60s

Condition for life : Apply rated voltage at maximum operating temperature +/-2C for 1,000+48, 0h.

Physical Dimensions		Material System							
									
Symbol	Dimensions (mm)	No.	Name	Material					
L	1.0 ± 0.05			Class I		Class II			
W	0.5 ± 0.05			Pd	TME	Pd	TME		
T	0.5 ± 0.05			1	Dielectric	TiO2	CaZrO3	BaTiO3	
B	0.1 min.			2	Electrode	Pd	Ni	Pd	Ni
G	0.3 min.			3	Termination	Ag or Ag/Pd	Cu	Ag or Ag/Pd	Cu
		4	Ni						
		5	Sn						

<sup>1</sup> This datasheet gives a basic overview of the multilayer ceramic capacitor as defined in the above TDK part number. A full specification (including part number construction, available capacitance ranges, packaging and caution notes) is available upon request. The information above is subject to change by TDK without any notice.